

BOX450_

Tote Holder

BOX4500



BOX4503

**Application**

Holder for mounting a small parts tote.
Can be mounted to Robotunits extrusions
or on sheet metal (3 mm thick).

Technical data

Material: PA6 (ESD conductive), Steel

Scope of delivery BOX4500

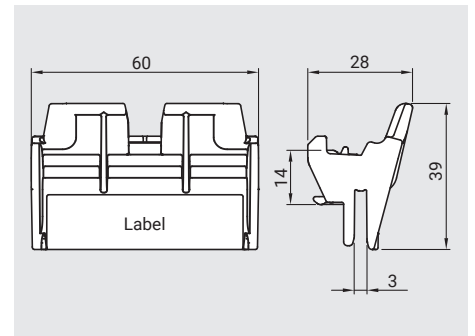
1 Tote Holder

Scope of delivery BOX4503

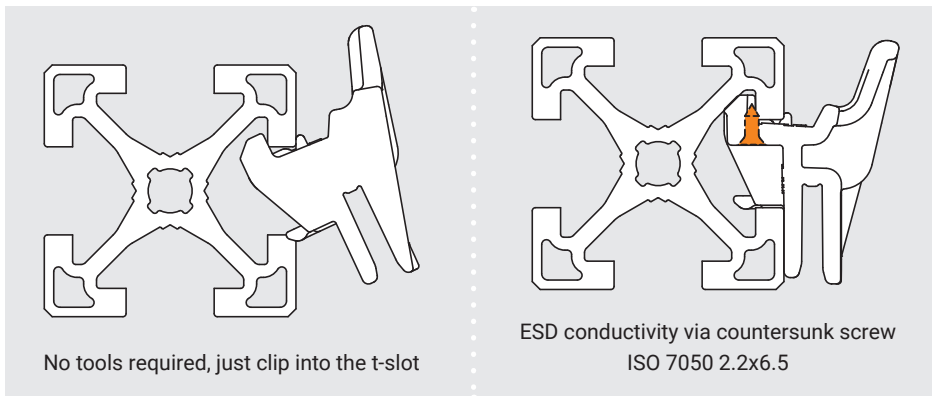
1 Tote Holder

1 Countersunk screw ISO 7050 2,2x6,5

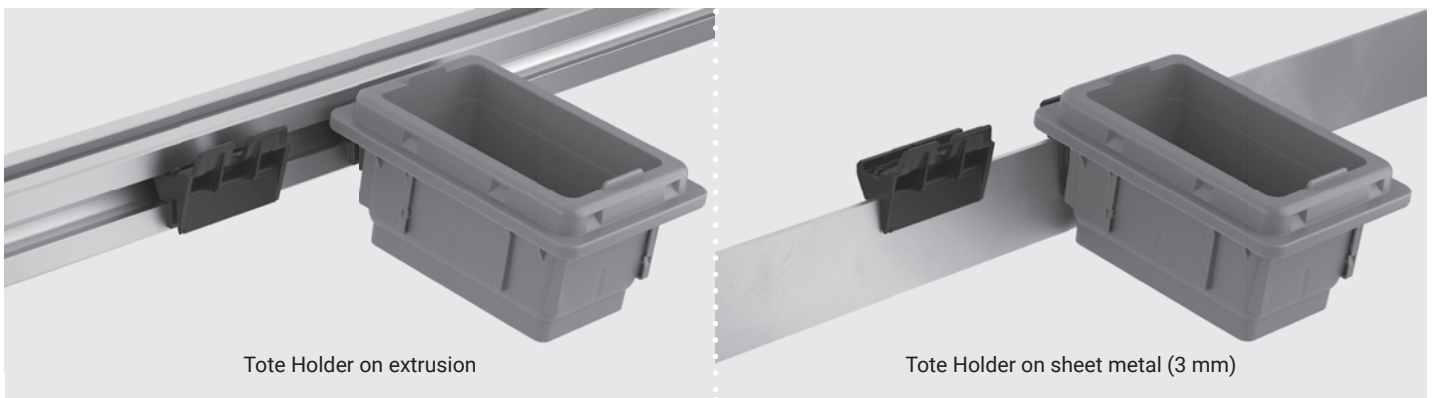
Label size max. 50 x 12 mm



Assembly instructions



Application



Order code

Order code	Item	Description	Weight
BOX4500	Tote Holder		0.018 kg
BOX4503	Tote Holder ESD	incl. countersunk screw for conductivity	0.019 kg

Drawings: dimensions in mm